

Installation instructions for Double door Holder DDH

OPERATION

The inactive leaf must close first. When the active door is closed, the release bolt on the back of the DDH hits the strike plate on the door and pushes the locking bolt into the retaining plate on the door frame.

NOTE: DIMENSIONS MAY NOT BE ACCURATE WHEN PRINTING FROM WEBSITE PLEASE CONFIRM DIMENSIONS WITH RULER BEFORE USE

TEMPLATE A.— FOR RH ACTIVE DOOR

INSTALL TEMPLATE ON INSIDE SURFACE OF OUTSWINGING DOOR

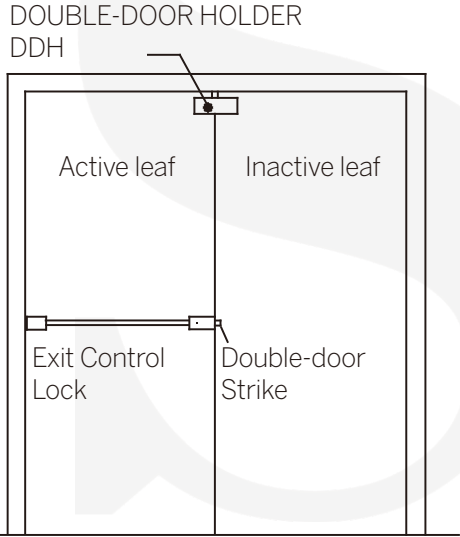
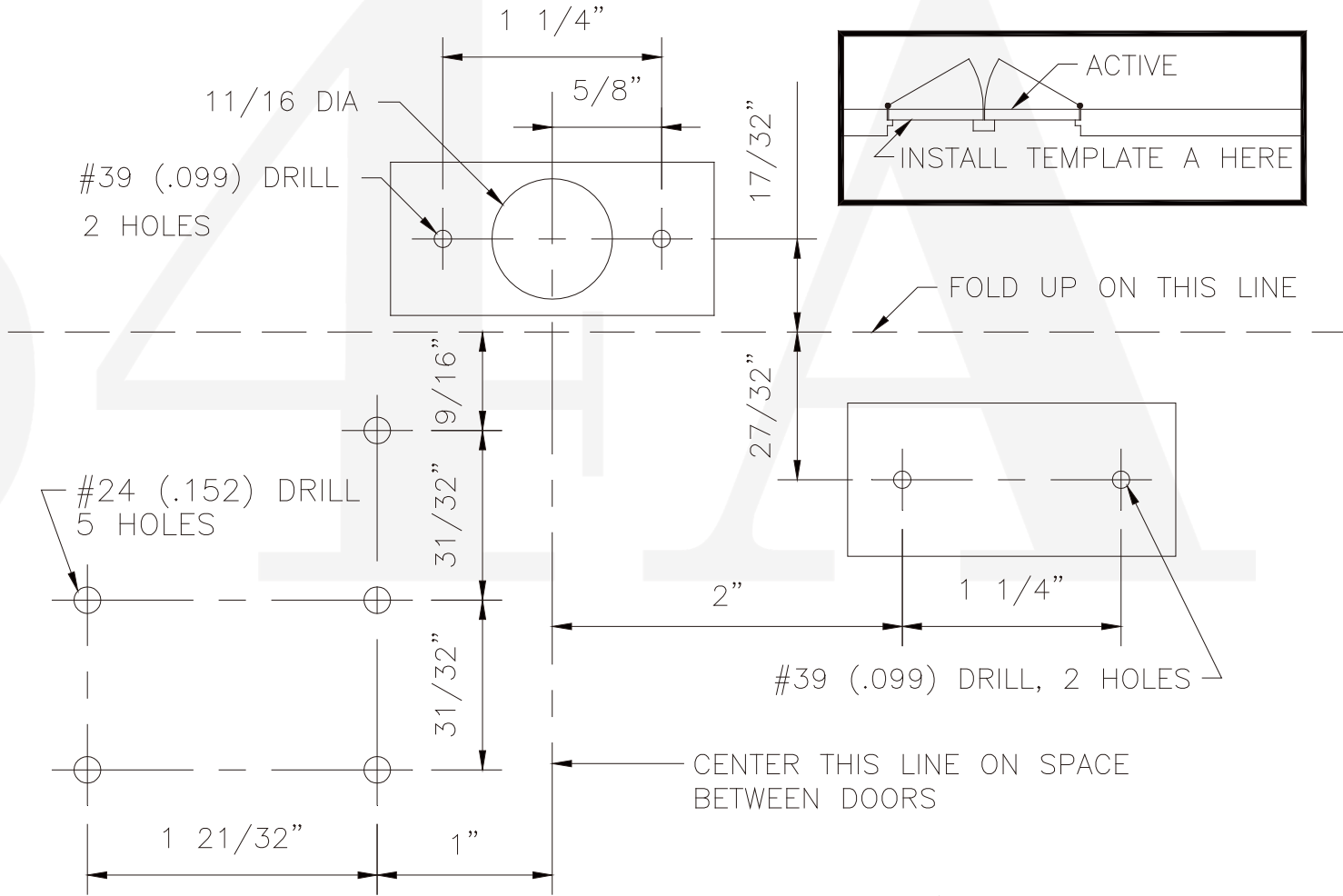
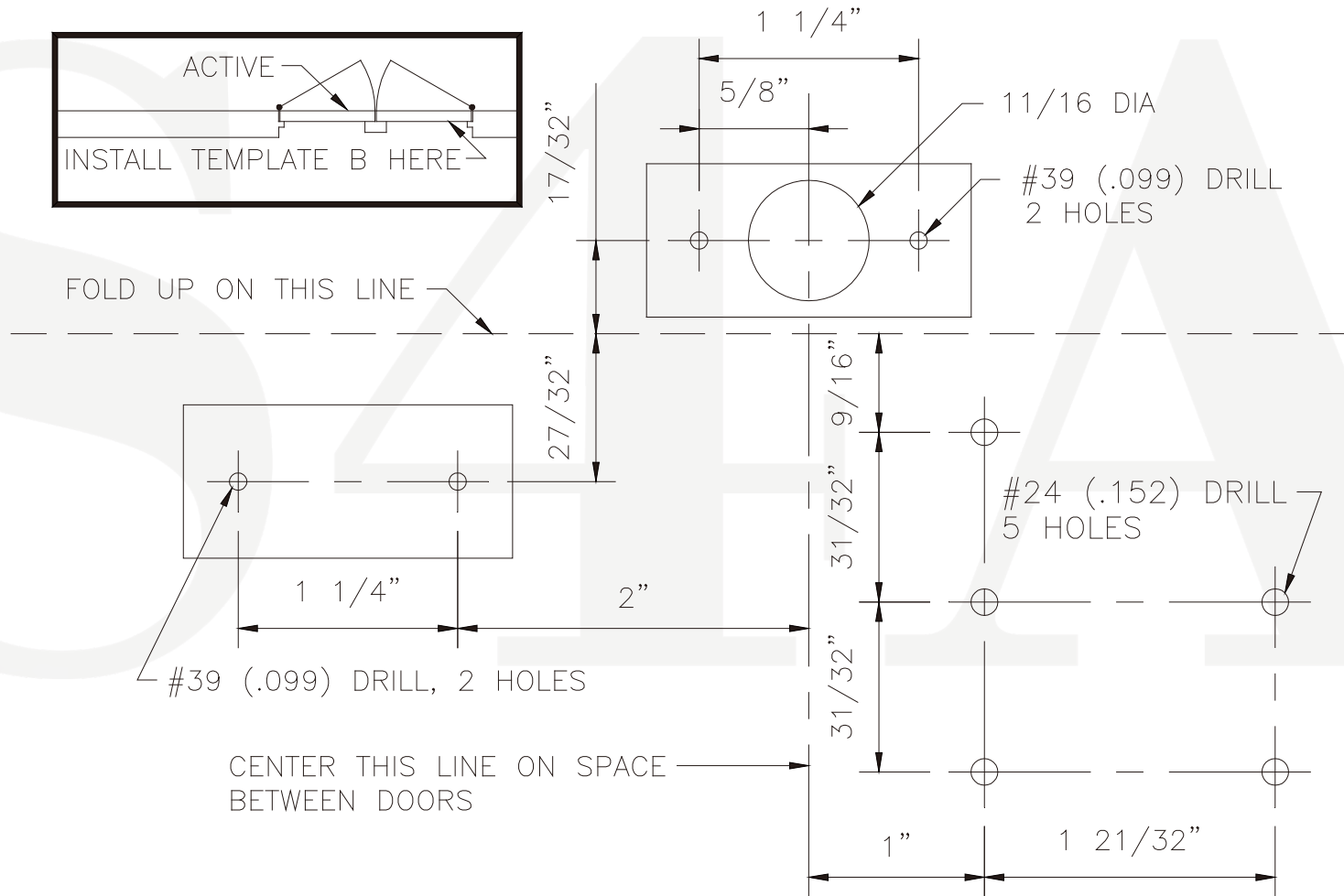


Figure 1.-Typical installation



NOTE: DIMENSIONS MAY NOT BE ACCURATE WHEN PRINTING FROM WEBSITE
PLEASE CONFIRM DIMENSIONS WITH RULER BEFORE USE

TEMPLATE B.— FOR LH ACTIVE DOOR
INSTALL TEMPLATE ON INSIDE SURFACE OF OUTSWINGING DOOR



March 30, 2001