



ED100

Intelligent Automatic Flat Door system

Catalog

1. Technical parameter	1
2. Description of accessories	2
3. Mechanical installation	3 - 9
3.1 Installation example	3
3.2 Baseboard installation	4 - 5
3.3 Arm installation	6
3.4 Push arm installation	7 - 8
3.5 Driver system installation	9
3.6 Hood installation	9
3.7 Connection of drive system and pull arm	10
3.8 Driver system and push arm connection	10
4. Electrical connection	11 - 12
5. Parameter adjustment	13 - 14
6. Quality Assurance Certificate / Qualification Certificate	15

1 Technical parameter

Power supply: 200V~240V

Opening time: 3~7s/90°

Opening and holding time: 1~30s

Temperature: -20°C~55°C

Protection level: IP12D

Product weight: 6.5Kg

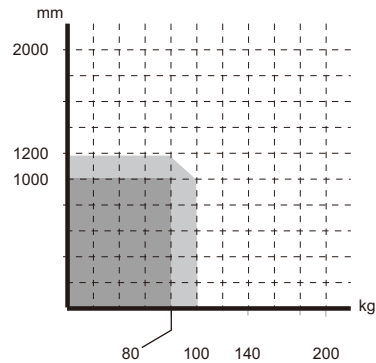
Product volume: 515x95x90mm

mm = Door width

kg = Door weight

 Optimum scope

 Limit range



2 Description of accessories

Power cord hole

Sensor equilibrium hole



Floor



Hood

Power Connection Seat

Motor

Microcomputer Controller



Driving Device

Output shaft

Transformer



Pull arm (and push arm choose one)

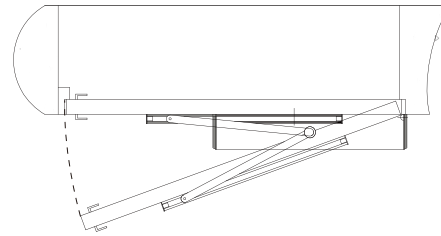
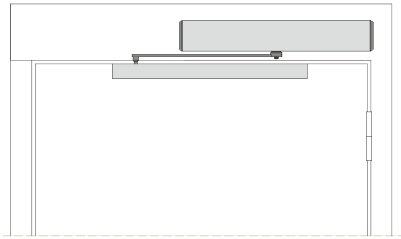


Push arm (choose one from pull arm)

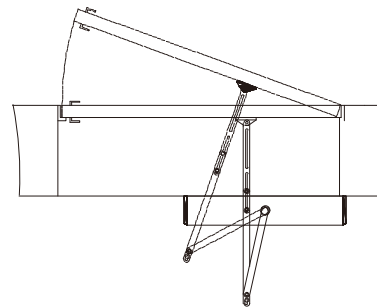
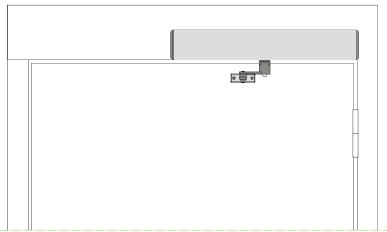
3 Mechanical installation

3.1 Installation example

Pull- arm mounting: Suitable for door wing opening inward (drive system inside)

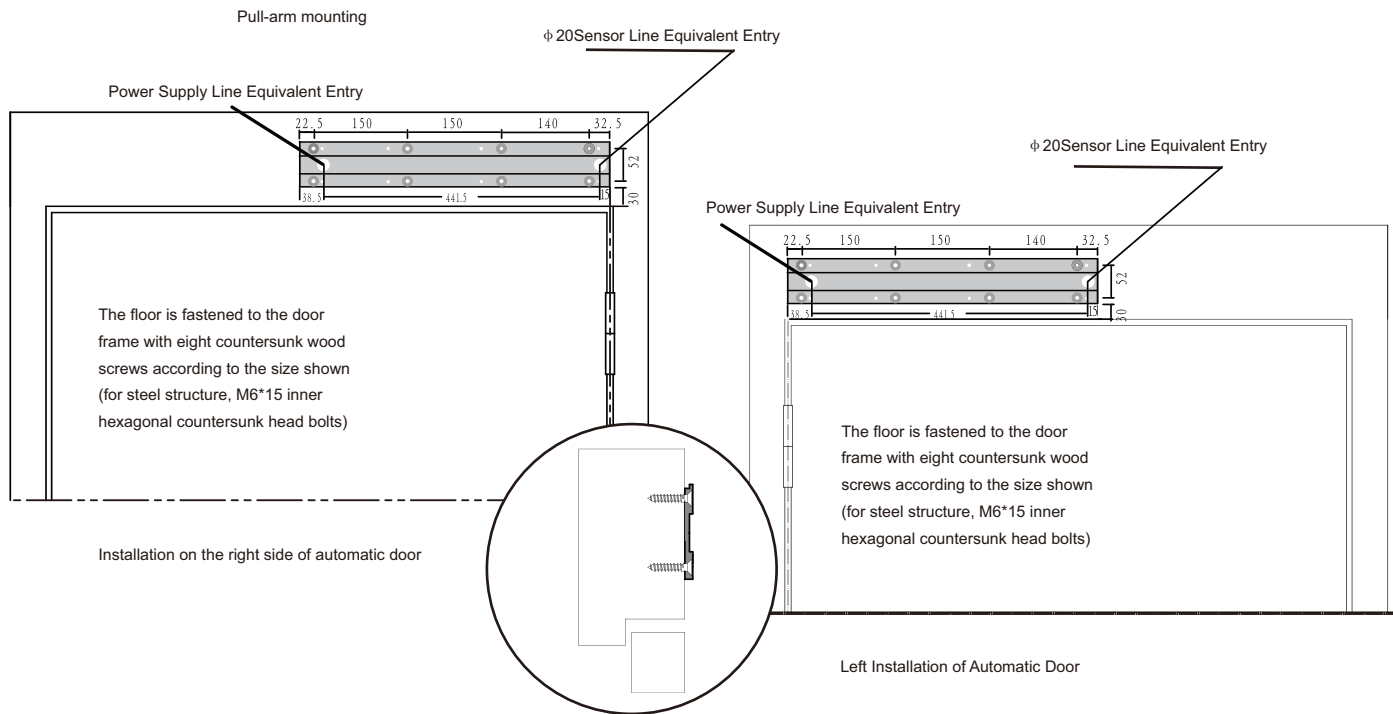


Push Arm Installation: Suitable for door wing opening outward (drive system inside)



3 Mechanical installation

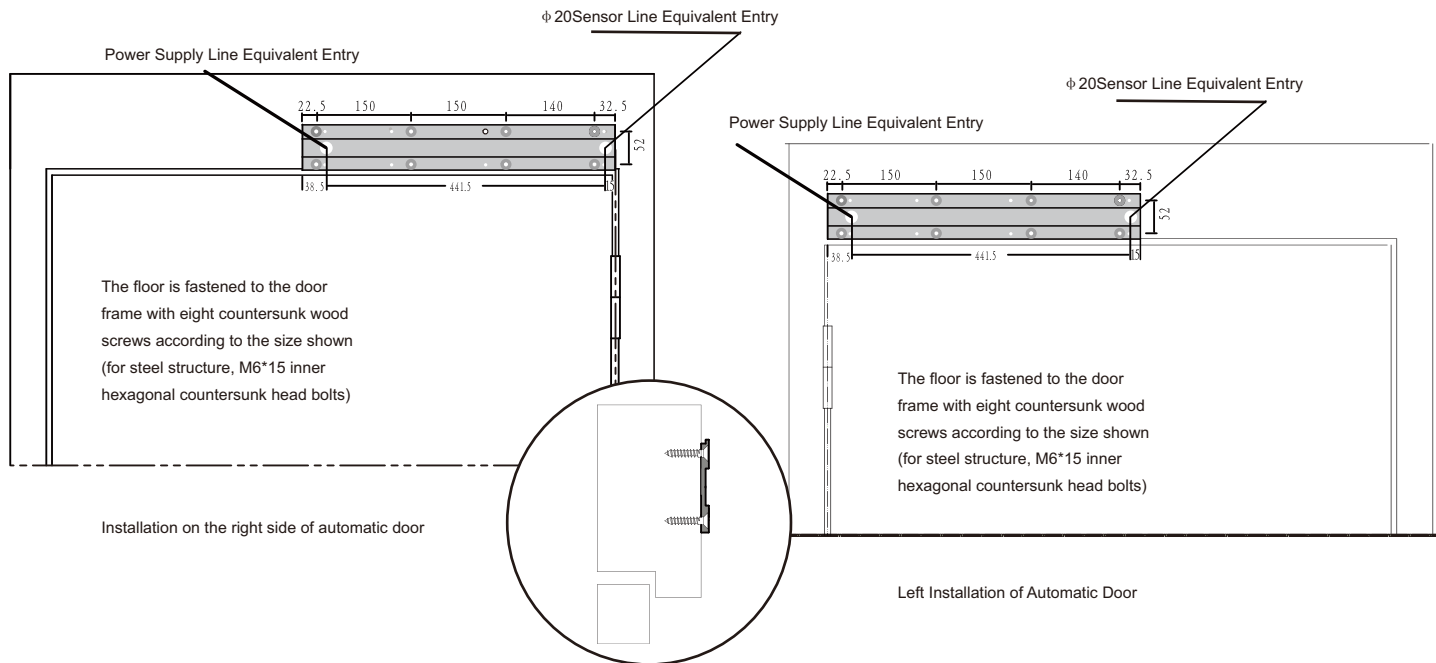
3.2 Baseboard installation



3 Mechanical installation

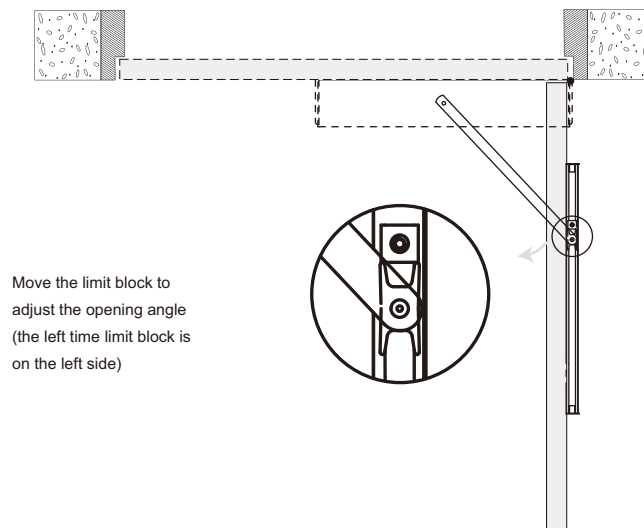
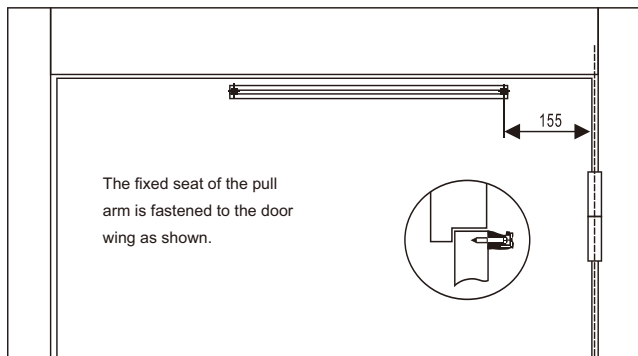
3.2 Baseboard installation

Push Arm Installation



3 Mechanical installation

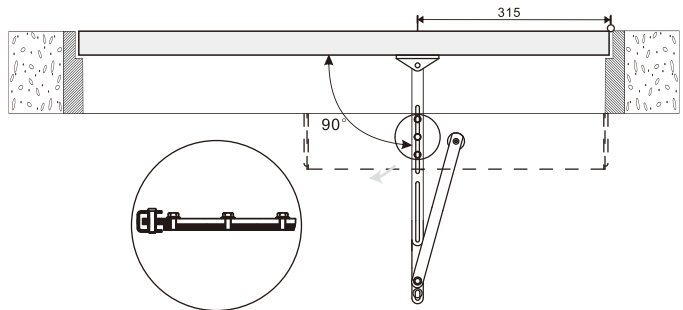
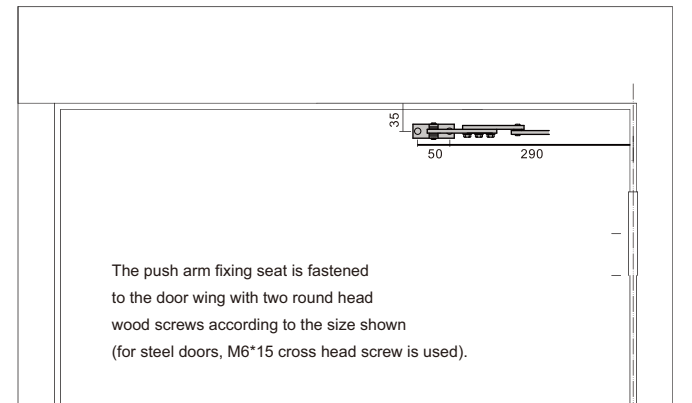
3.3 Pull-arm mounting



Installation on the right side of automatic door

3 Mechanical installation

3.4 Push Arm Installation

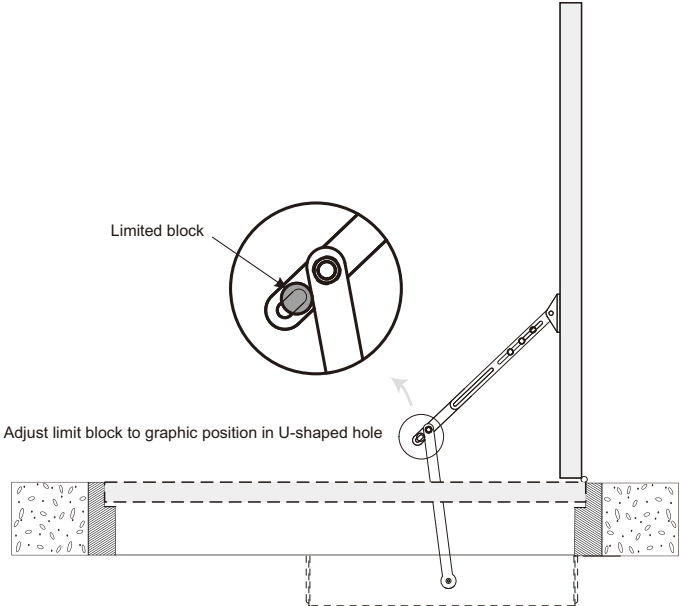


According to the different depth L of the door frame, the length of the push arm can be adjusted by loosening three clamping bolts, so that the angle between the push arm and the door body is 90 degrees as shown in the figure.

Installation on the right side of automatic door

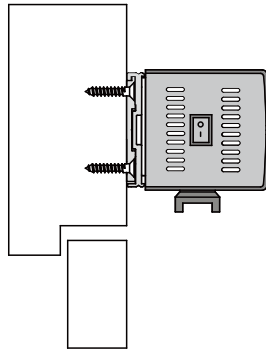
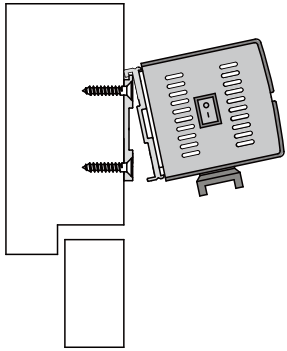
3 Mechanical installation

3.4 Push Arm Installation

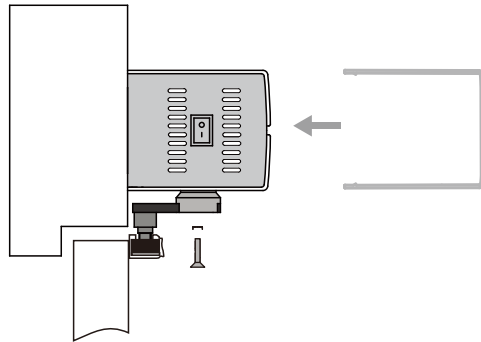


3 Mechanical installation

3.5 Driver system installation



Install the drive system as shown in the illustration on the installed base plate, with eight hexagon socket heads screwed



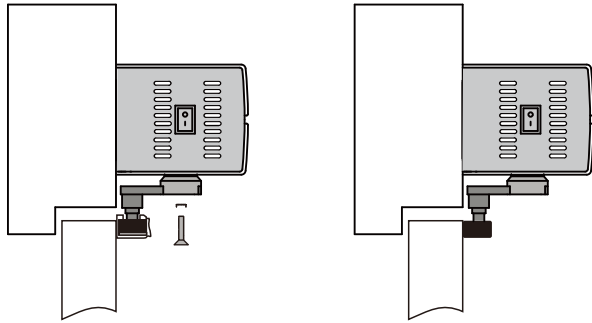
Hood installation



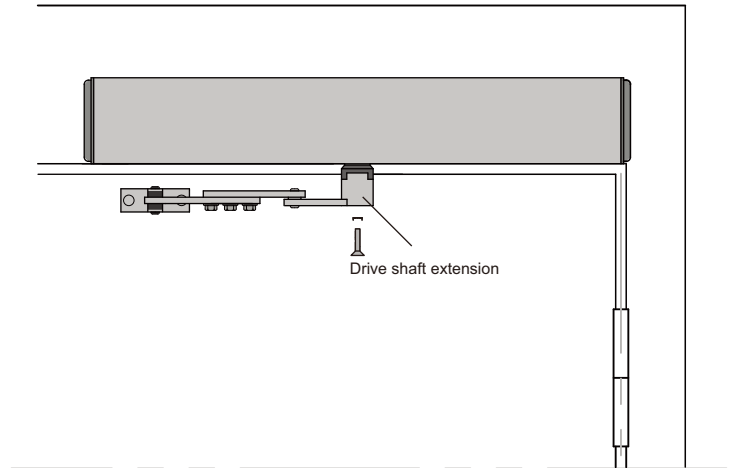
How the hood is opened

3 Mechanical installation

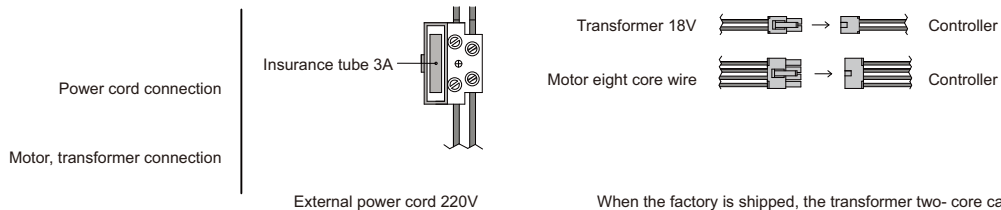
3.7 Drive system and pull arm connection



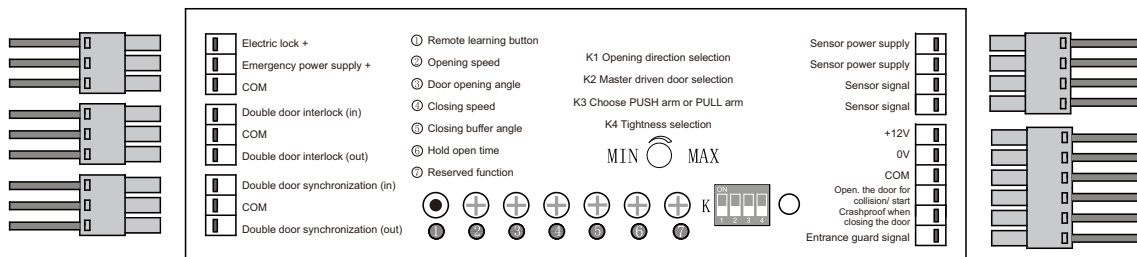
3.8 Drive system and push arm connection



4 Electrical connections

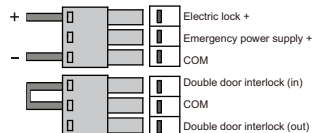


When the factory is shipped, the transformer two-core cable, the motor eight-core cable and the controller are connected.

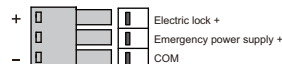


Entrance guard+power supply

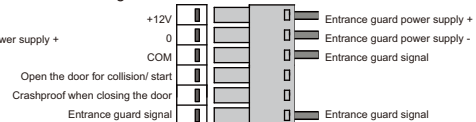
Lock the door every time



Remote control lock

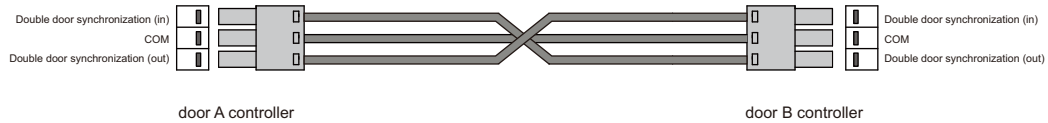


Entrance guard



4 Electrical connections

Double door synchronization



In the double - opening door, the first opening and the second closing are set as the active ones, and the rear opening is first set as the driven door, the active door K2 is set, and the driven door K2 is placed.

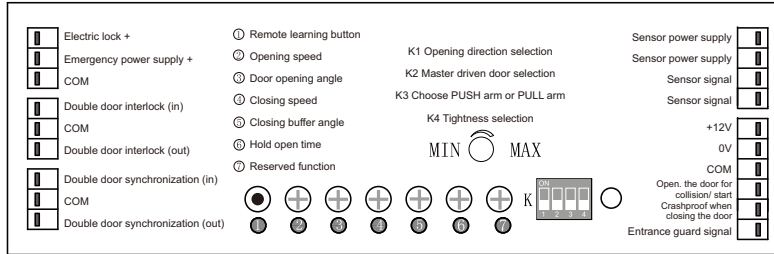
Sensor, access control and active door controller connection

Double door interlock



Note: When two doors share one sensor or the same source, the double door may open normally. At this point, change the two signal lines of the sensor on one of the controllers to restore normal operation.

5 Parameter adjustment



1. Remote learning button
2. Opening speed Clockwise speed is getting faster
3. Buffer angle of opening door Increased clockwise angle
4. Closing speed Clockwise speed is getting faster
5. Buffer angle of closing door Increased clockwise angle
6. Hold open time Time is longer in clockwise direction About 7 seconds at 1/4 position About 14 seconds in 1/2 position
7. Reserved function key About 21 seconds in 3/4 position

Switch setting (K) : After setting, power off, restart is effective

K1: When the power is turned on, in the initial state, the door moves to the correct position in the direction of closing the door, and if it moves in the direction of opening the door, the switch position is changed.

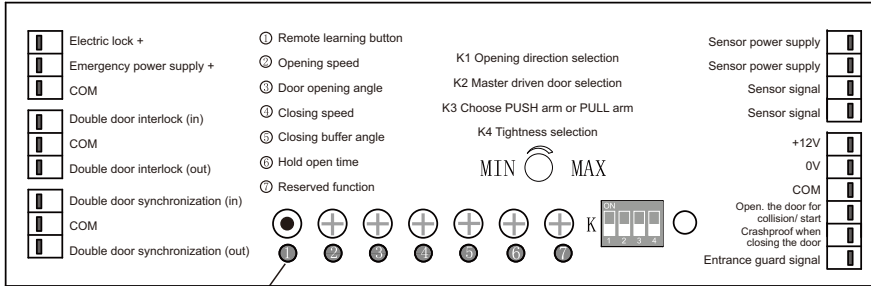
K2: When the double door is synchronized, the active door is placed and the driven door is placed (on)

K3: Choose PUSH arm or PULL arm

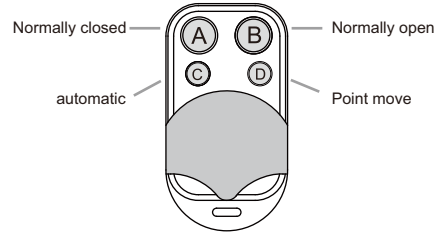
K4: The door is opened and the forbidden force is placed (on)

5 Parameter adjustment

remote control



Remote learning button



Controller and controller pair code description

1. Empty: Press and hold the "Remote Learning Key" button to know that you can't hear the buzzer sound and release the button.

2. Pair code: Press the "Remote Learning Key" button and the buzzer will sound. At this time, press any button on the remote control, and the buzzer will beep three times, indicating that the code is successful. The buzzer will beep when using the remote control

3. Note: When using the remote control, the buzzer will beep twice, indicating that the remote control and the controller are not successfully coded. Please repeat item 2.

Press the "inching button" button, the door switch once

