



Series face recognition terminal

Product Specification V2.1

1.Application scenarios

It is suitable for office area, hotel, passage gate, office building, school, shopping mall, store, community, public service and management, etc. where face control is needed.

2.Product characteristics

1. Support camera capture and face activation device;
2. Adopt the dynamic face detection and tracking recognition algorithm based on video stream;
3. Support device local storage of 10000 face library;
4. When the face database is 3000, the recognition accuracy of 1:n is 99.7% under the condition of error rate of 3/10000;
5. Fast identification speed:
 - (a) Face tracking and detection takes about 20ms
 - (b) Face feature extraction takes about 200ms
 - (c) Face comparison time is 0.2ms (1000 people database, multiple recognition is averaged), 0.5ms (10,000 people database, multiple recognition is averaged);
6. Binocular camera with infrared supplementary light;
7. Support the saving of on-site photos during face recognition or stranger detection;
8. Support HTTP interface docking;
9. Support the use and deployment of public network and LAN;
10. Support stranger identification comparison function;
11. Support human body temperature detection and human body temperature measurement under indoor conditions;
12. Support external QR code;

Cautions: The temperature is between 0 °C and 35 °C. This product is not used as a medical device.

3.product specifications

Screen	Size	8 inches, IPS LCD screen
	Brightness	500 LU
	Resolution	800*1028HD screen
Camera	Resolution	200W*200W
	Number of cameras	2
	Type	RGB Camera
	Aperture	F2.0
	Focal length	4.3mm
	White balance	Automatic
	Wide dynamic	Support
	Vertical wide angle	52°
Horizontal angle	29°	



S4A INDUSTRIAL CO., LIMITED



Core parameters	CPU	4Core, 1.8GHz
	Device interface	2GB Memory, 8GB Storage
Interface	Audio	1 Audio output (line out)
	Video	HDMI2.0 Type-A interface 1
	Relay output	1 relay interface
	Network Interface	1 RJ45 10M/100M adaptive Ethernet port, WIFI
Function	Face Detection	Also supports detection and tracking of 5 people
	1: N Face recognition	Under the condition of three thousandths of false recognition rate, the recognition accuracy rate is 99.7%
	Stranger detection	Support
	Recognition distance configuration	Support
	Biopsy	Support
	UI interface configuration	Support
	Device remote upgrade	Support
	Deployment mode	Support public network and local area network
	Comparison of witness	Support (separately purchase ID card reader)
	Face Detection	Support
	1: N Face recognition	Within 1 meter
	Stranger detection	≤ ±0.3℃
	Recognition distance configuration	30℃~42.5℃
	Biopsy	Yes
	UI interface configuration	Support
	Temperature alarm value can be set	Support
	Wear a mask to identify	Support
	Body temperature over temperature alarm	Support
	Outdoor temperature measurement	Support
	The temperature alarm value can be-set	Support
Mask recognition	Support	
General parameters	Protection class	IP42, certain dustproof and waterproof function
	Power supply	DC12V (±10%)
	Operating temperature	-10℃~60℃
	Working humidity	10%~90 %
	Power consumption	10W MAX
	Equipment size	252x130x26mm
	Weight	≈2kg

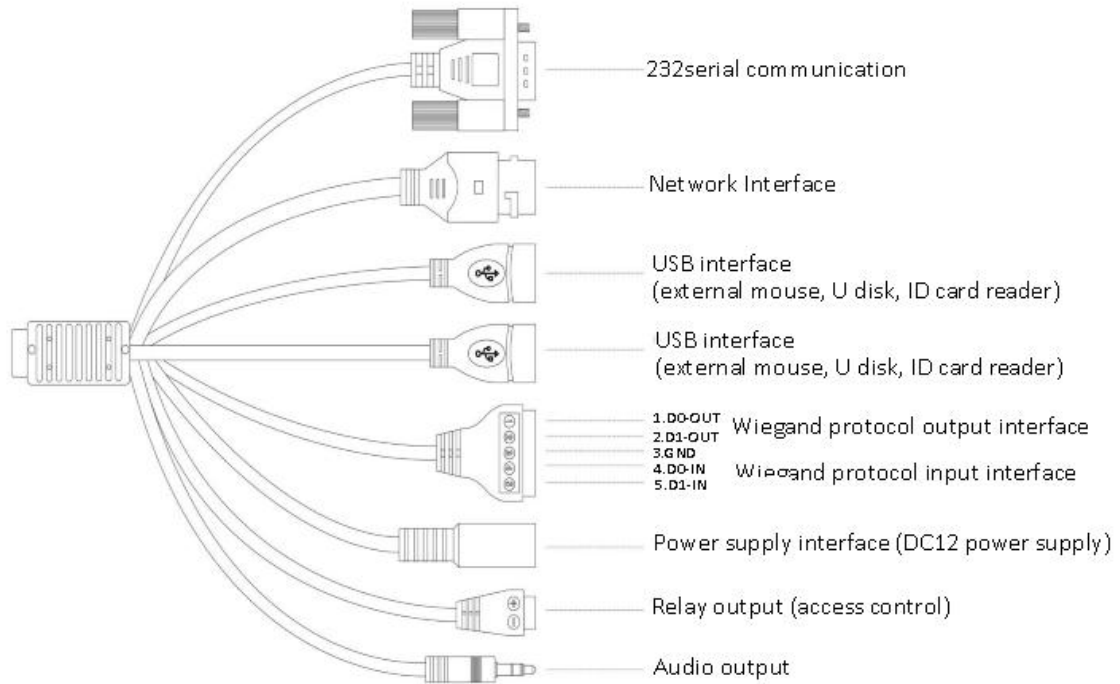
TEL: +86 755 29450011 (8lines) / <http://www.s4a-access.com> / E-mail: sales@s4a-access.com

Address: The 2nd floor, Jinmin'an Industrial Zone, #529, Bulong Rd. Bantian St. Longgang Dist.

Shenzhen, PRC.. CN 518131



4. Device interface indication



5. Dimensions

Dimensions(mm)



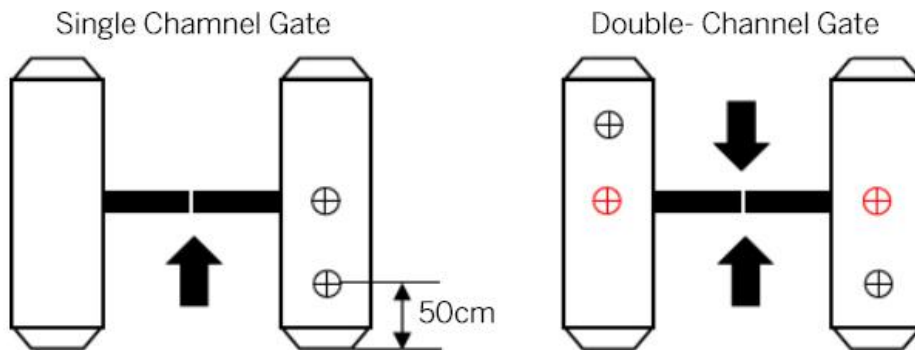


6. Installation instructions

a: Column installation instructions

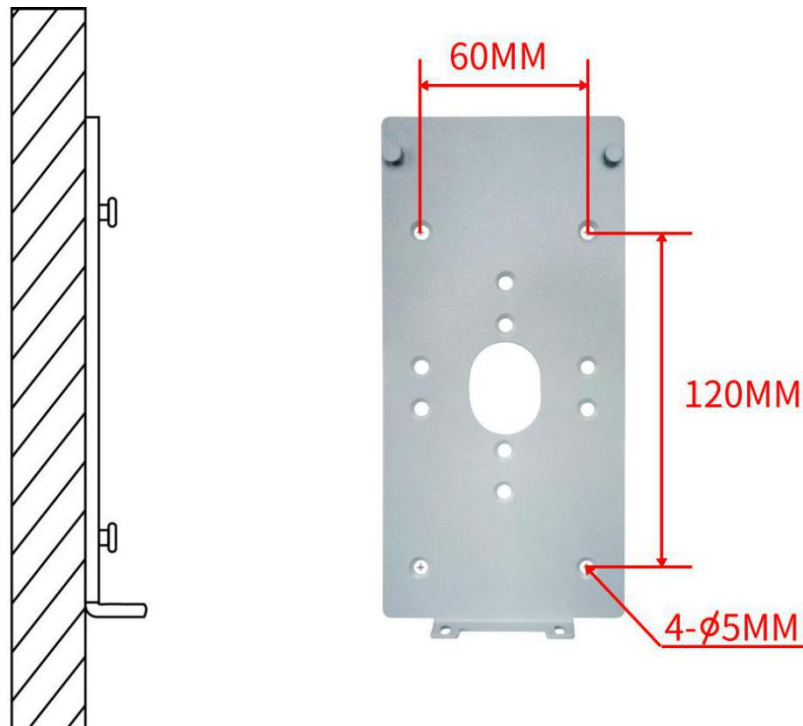
Appearance part instructions

According to the needs of the installation site , open a hole with a diameter of 35mm on the gate panel (usually at a position of about 50cm in the middle or on the front side), as shown in the figure, e is the recommended hole position.

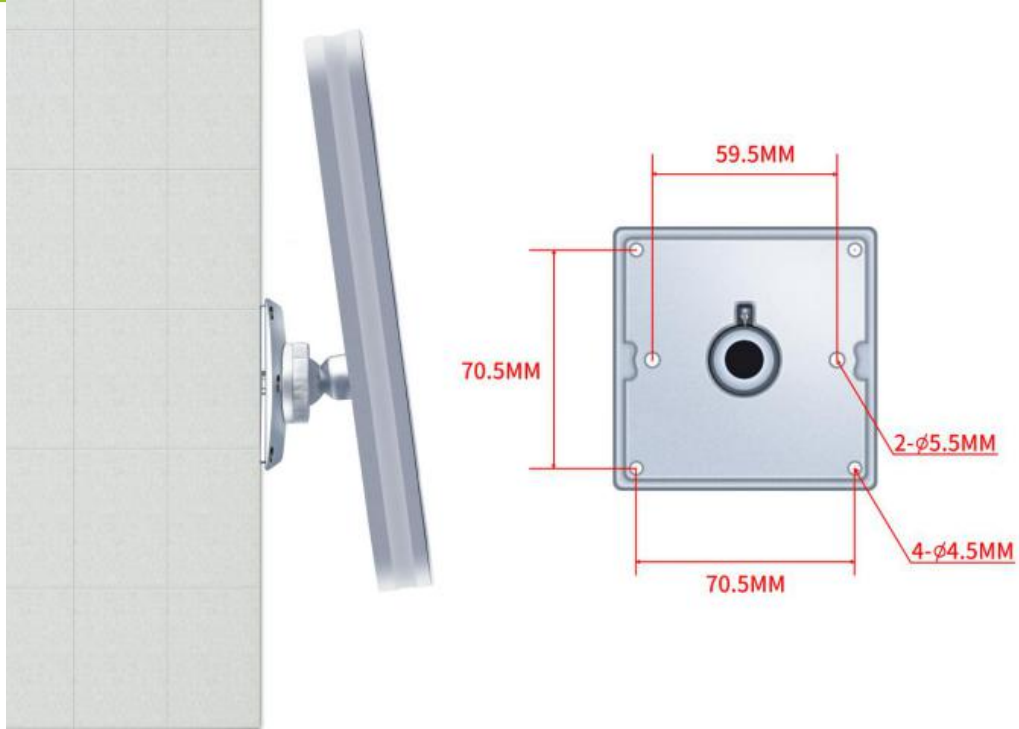


Note: The position of the hole should be based on the actual application scenario and gate type, 50cm is only a reference value.

b: Installation instructions for flat wall hanging



c: Installation instructions of universal wall hanging



d: Desktop installation instructions





7. Interface description

7.1 Power interface

The power input interface is in the tail line of the device. The detailed description is as follows:

Signal name	Signal direction	Function description
12V	outside is anode	12VDC \pm 10% DC input
GND	Inside is negative	GND

The internal power input of the device has reverse polarity protection and surge protection.

7.2 Relay output

The alarm output is a passive relay switch output, the contact voltage capacity is: 220V DC, 250V AC; the contact current capacity is 1 A; the power capacity is 30W.

7.3 WG input and WG output

Wiegand input can be connected to Wiegand reader, used for swiping card to open the gate. Wiegand output can be used to output recognition results, connect to other WG input devices, access control panels, etc.

7.4 Ethernet interface

The device tail line indicates that the network interface is the face device Ethernet interface, and the user can configure the face device parameters through the configuration tool.

7.5 USB interface

Two USB ports can be used to connect USB devices such as ID card readers.

7.6 Audio output

Can be connected to an external power amplifier to output audio.

7.7 232 serial port

Used for communication between face machine and external equipment, output card number, ID number, and personnel ID number.