

70KG Magnetic lock for Auto-Door



EL-150

Basic Instruction

Special design and suitable for any auto-door

No Fault Diagnosis, safety, durable

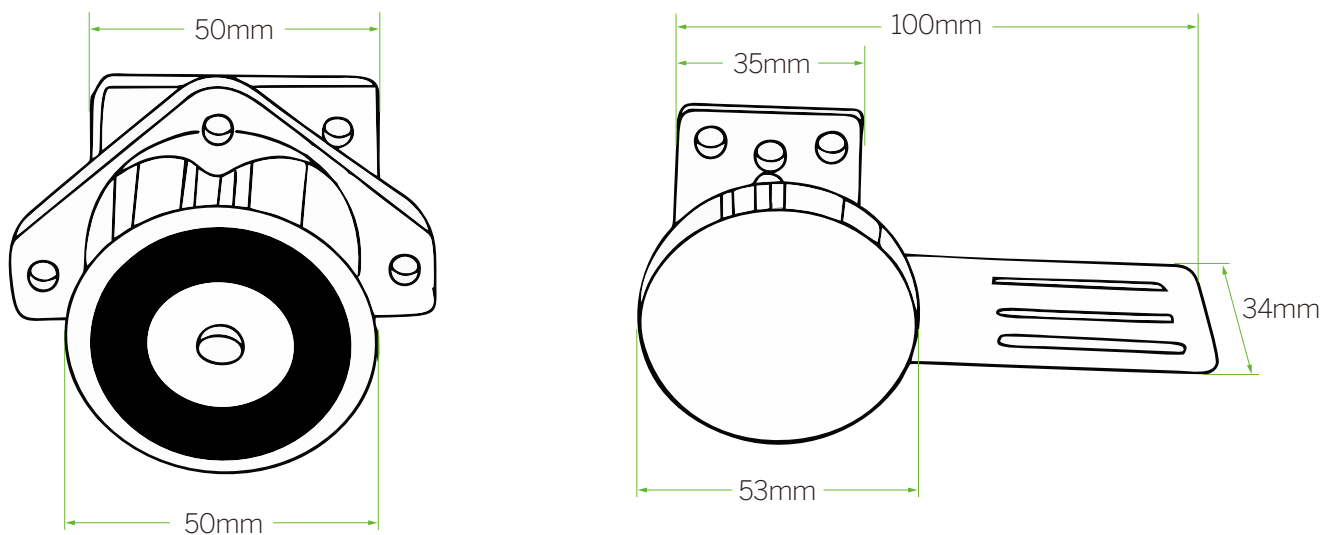
Professional design, install easily, adjust convenient

Selected product by Auto-door manufacturer

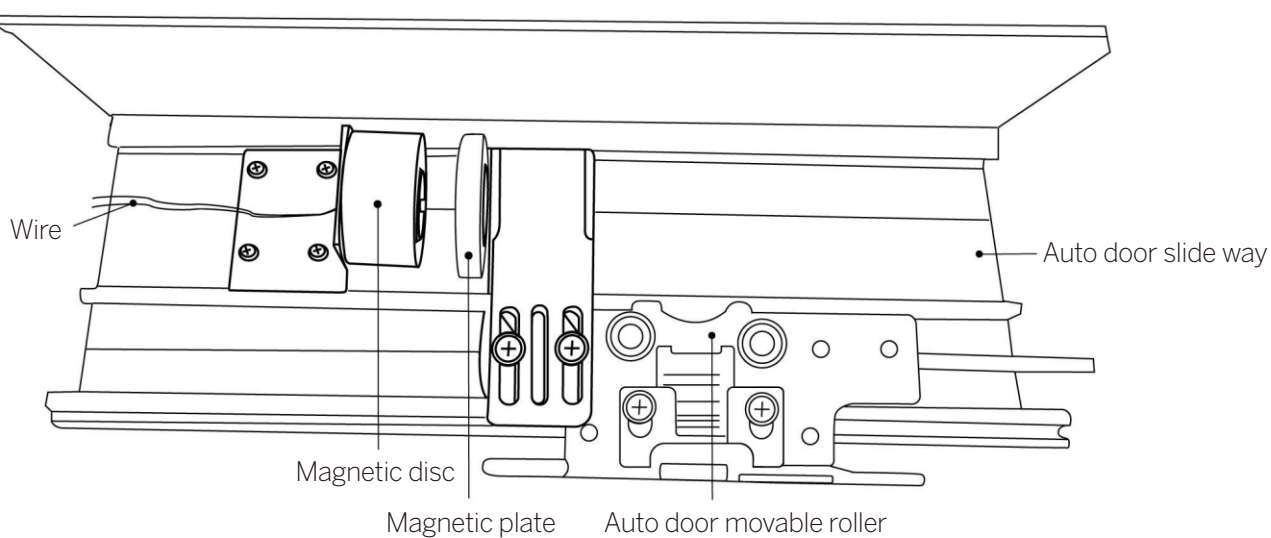
Specifications

| | |
|-------------------|---|
| Lock Size | 70Lx70Wx50H(mm) |
| Armature plate | 100LX53WX53H(mm) |
| Holding force | 70KG(150Lbs) |
| Voltage | 12V DC \pm 10% |
| Current daraw | 12V/180mA |
| Suitable for | Auto-door |
| Surface temp | 50° |
| Operating temp | -10°C ~ 55°C (14°F~131°F) |
| Suitable humidity | 0~90% (relative humidity) |
| Material | High temperature paint and enviroment protection Zinc |
| Weight | 0.8kg |

Dimensions



Installation



S4A Industrial Co., Limited

Address: The 2nd floor, Jinmin'an Industrial Zone, #529, Bulong Rd.
Bantian St. Longgang Dist. Shenzhen, PRC.. CN 518131



Tel: +86 755 29450011

www.s4a-access.com / Email: sales@s4a-access.com
Mob/Whatsapp/Wechat/Viber: +86 134 1050 0721