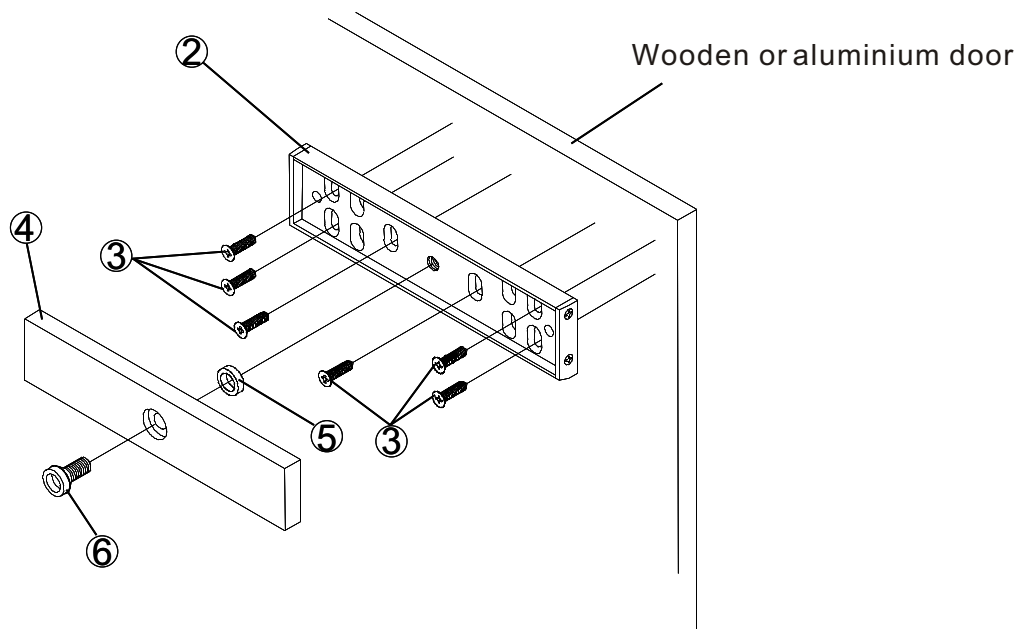


1. ① Body x1
2. ② Bracket x1
3. ③ M5 Screws x6
4. ④ Armature x1
5. ⑤ Rubber x1
6. ⑥ M8 x35 Screw x1

## STEP 1.

Fix ① at the desired position of the door frame.



## STEP 2.

Place ② on the door and screw it with ③. Adjust the position of ② as of the opposite of ① before screwing it tight with ③.

Place ④ and rubber ⑤ on ② and screw it tight with ⑥.